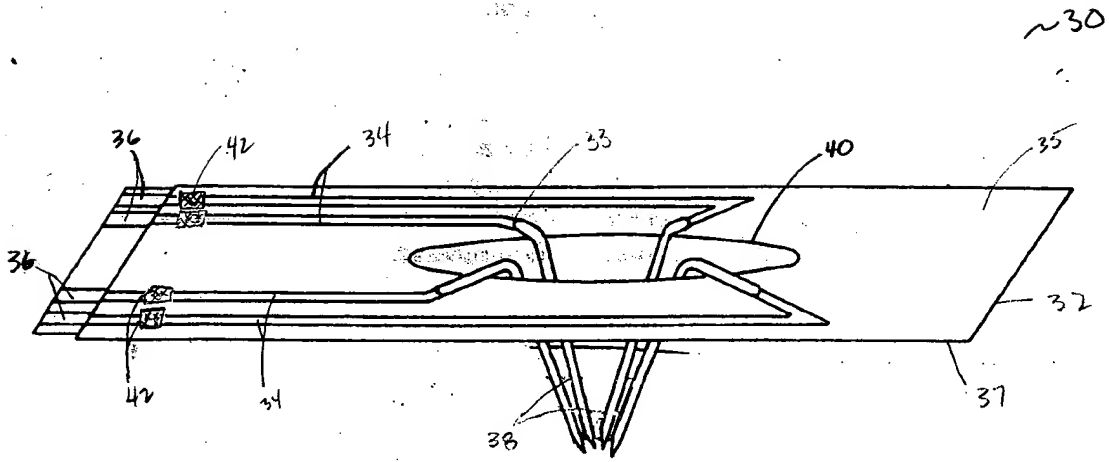


FIG. 1



FOR PUBLICATION

FIG. 2

~30

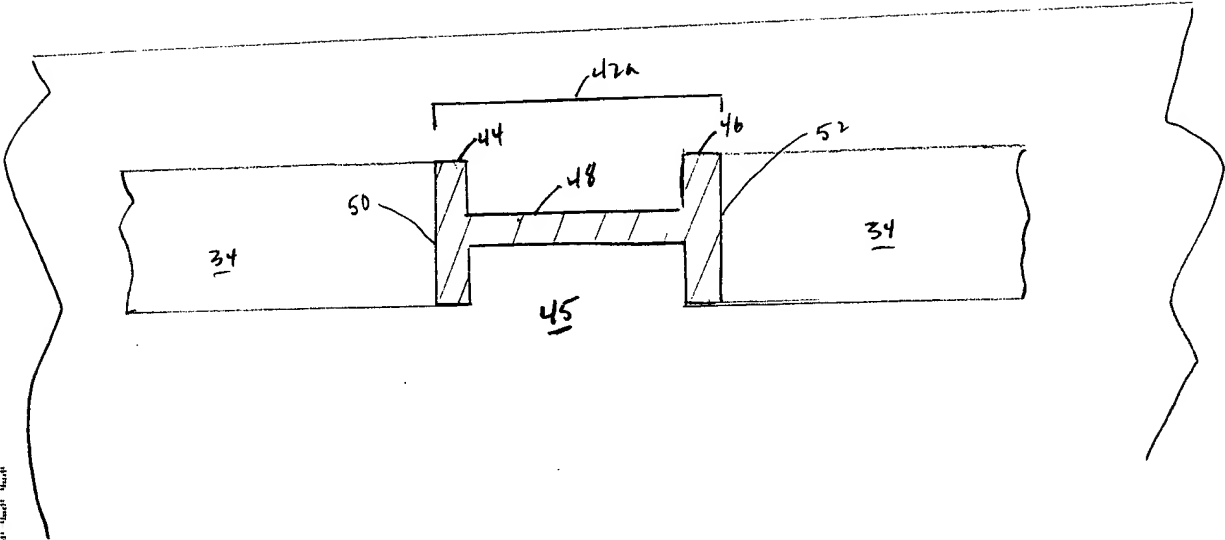


FIG. 3

~30

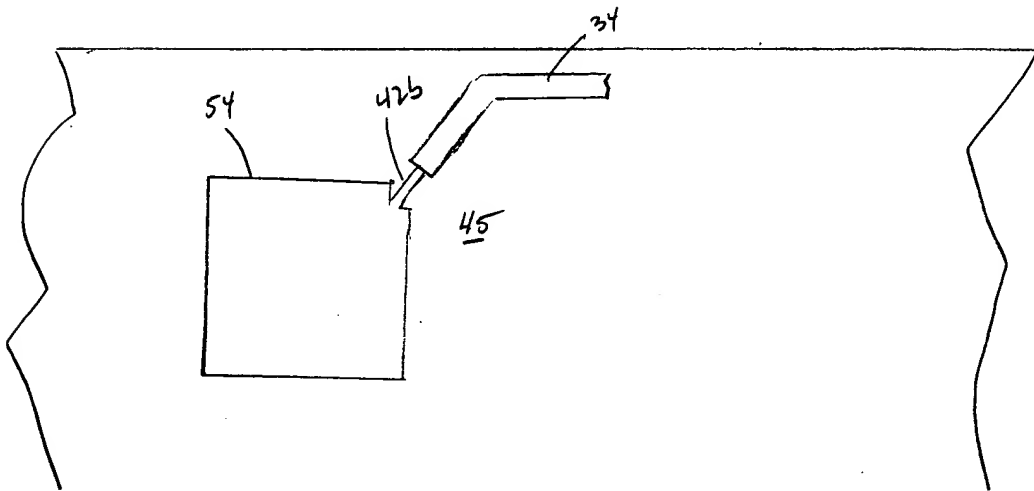
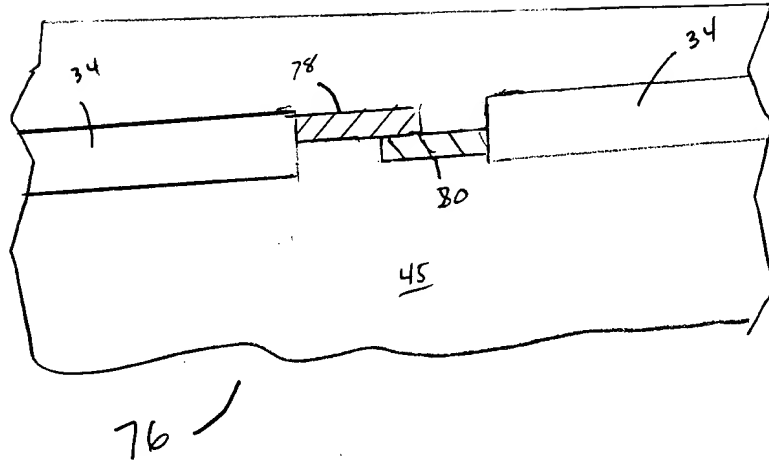


FIG. 2



FIG. 5A

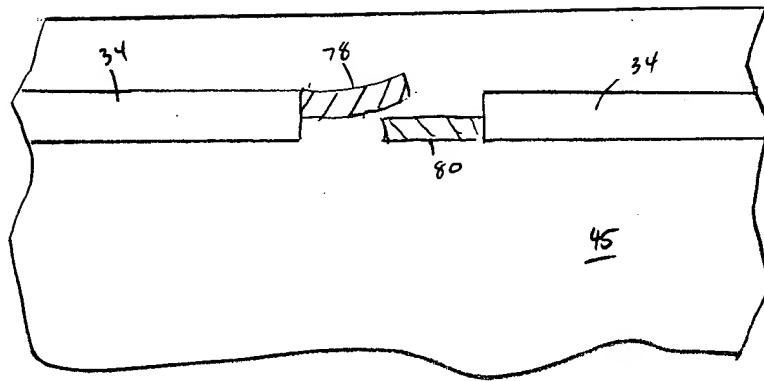
~ 30



FOR INFORMATION

FIG. 5b

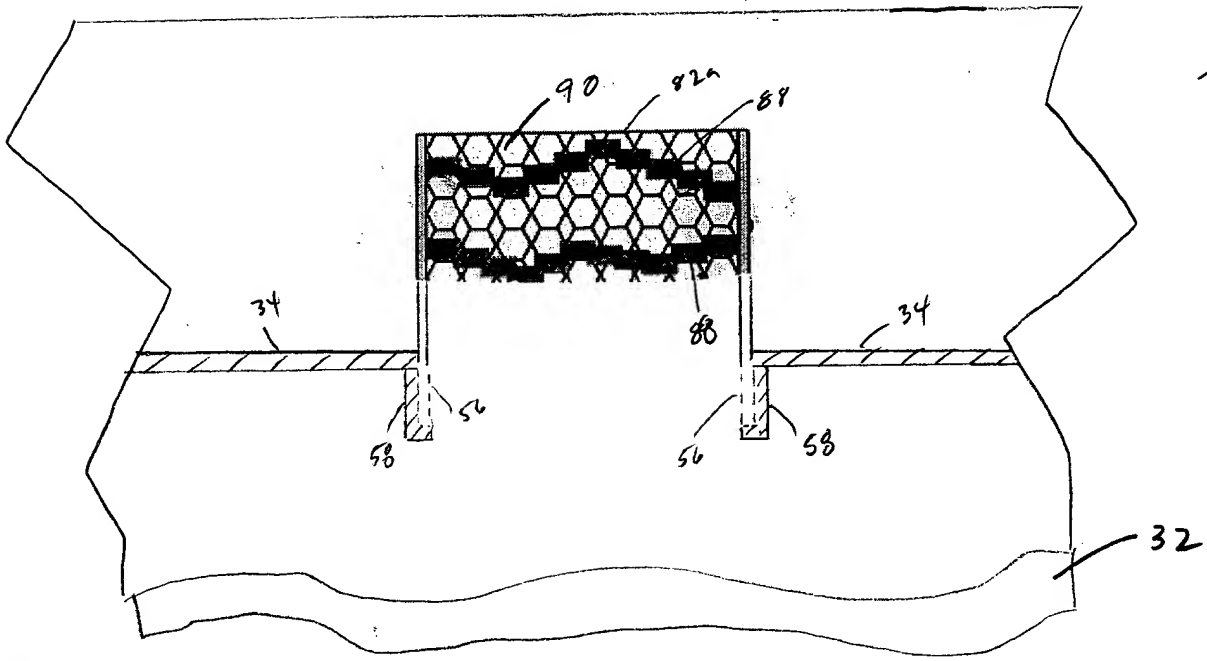
~ 30



76 —

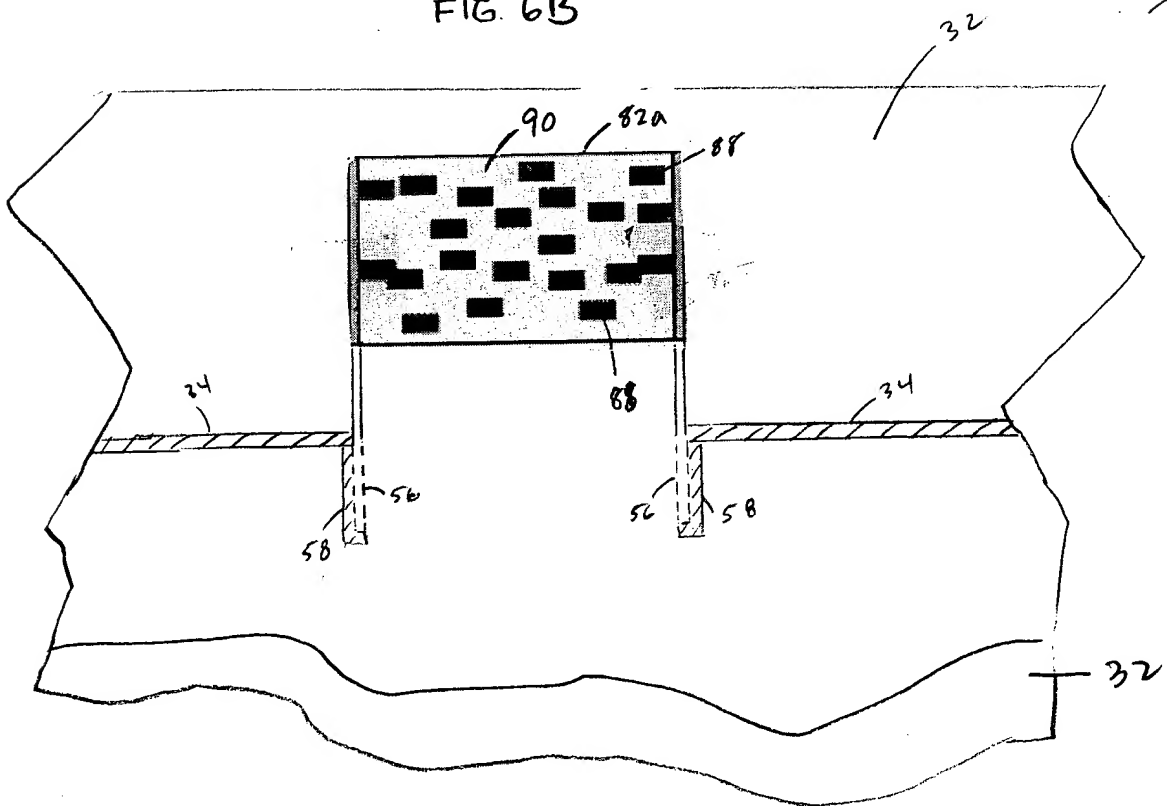
FIG. 5b

FIG. 6A



~30

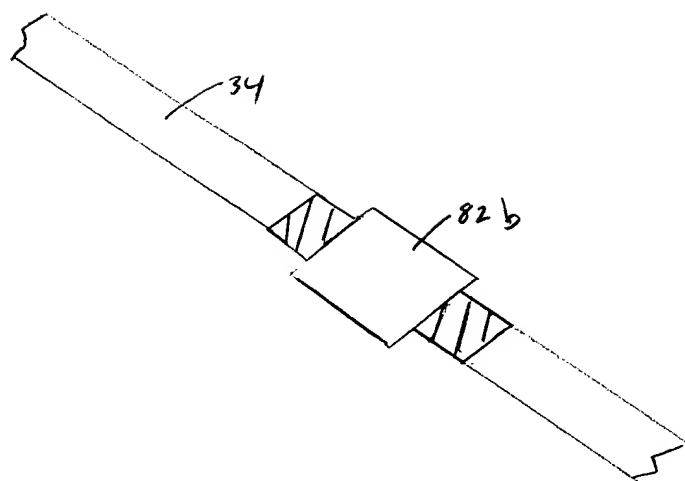
FIG. 6B



~30

FIG. 6A

FIG. 6C



FOR PUBLICATION

FIG 6D

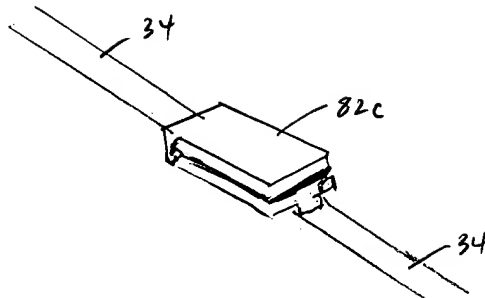


FIG 6D



FIG. 7

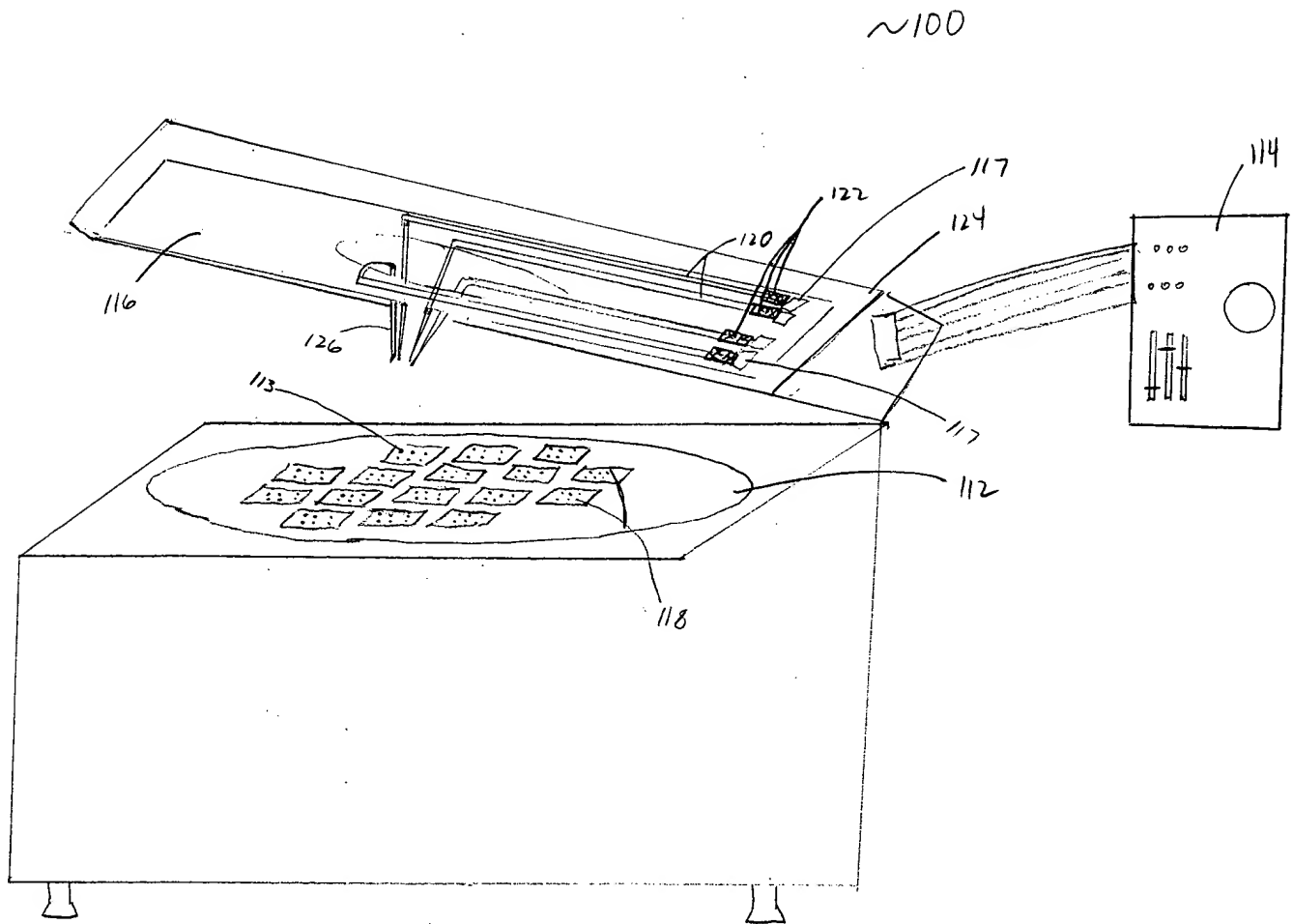
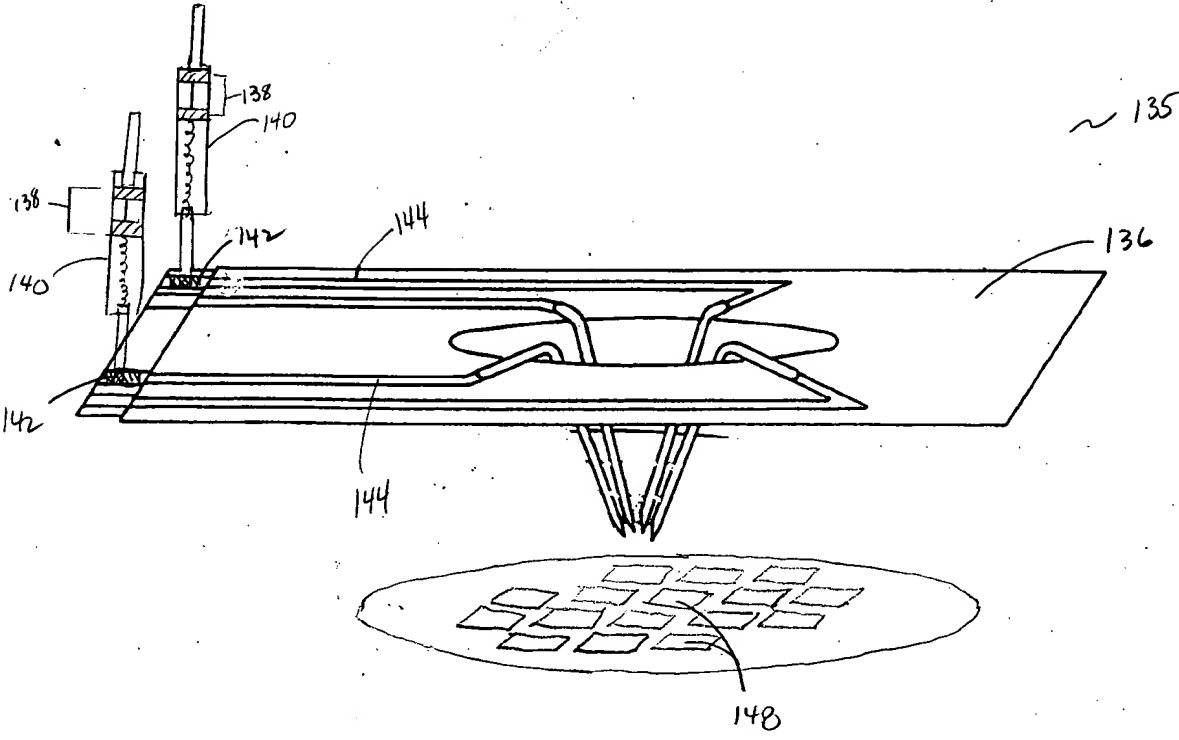


FIG. 7

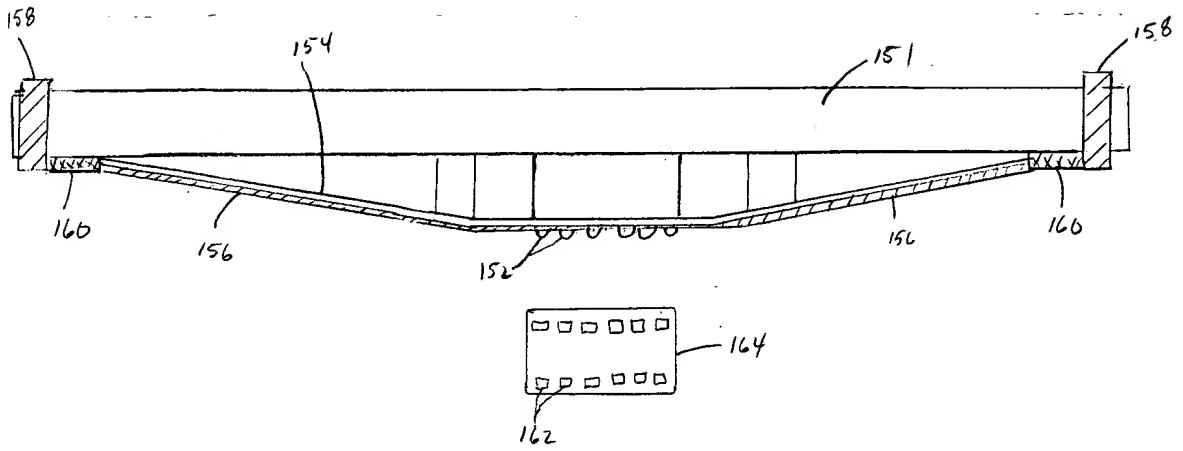
FIG. 8



FOR "SECRET"

FIG. 9

~150



FOR PUBLICATION